



ZIRCONE TOWER BASIN MIXER

DESCRIPTION

Zircon Tower Basin Mixer

FEATURES

- Modern 2 tone finish
- Continuous alignment of body and spout
- Taiwanese ceramic disc cartridge for smooth long life operation
- 10 year warranty on mixer body, cartridge and chrome finish, 5 years on coloured finishes

DETAILS

35mm cartridge

WELS 3 star 8L/m, RN: T31120

Part Code: AZ-103

Available Finish: Matte Black / Chrome

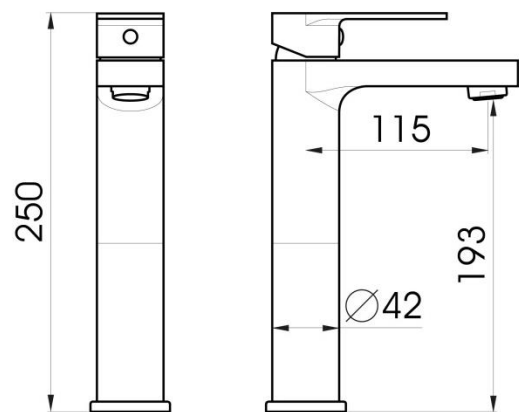
Recommended working pressure:

Min 150 – Max 500KPa

Note: If the pressure exceeds or is likely to exceed 500KPa, an approved pressure limiting device must be fitted.

Maximum hot water temperature 80°

TECHNICAL DETAILS



Note: Illustrations and specifications may vary from time to time