



## GEMSTONE WALL MIXER COMBO

### DESCRIPTION

Gemstone Wall Mixer Combo

### FEATURES

- Modern 2 tone finish
- Superior design German technology recessed housing-less aerator
- Combination spout and mixer
- Solid brass backing plate
- Suitable for use over baths or hand basins
- Taiwanese ceramic disc cartridge for smooth long life operation
- 10 year limited domestic warranty on mixer body, cartridge and chrome finish, 5 years on coloured finishes

### DETAILS

35mm cartridge

WELS 3 star 8L/m, RN: T35080

Part Code: AG-403

Available Finish: White / Chrome

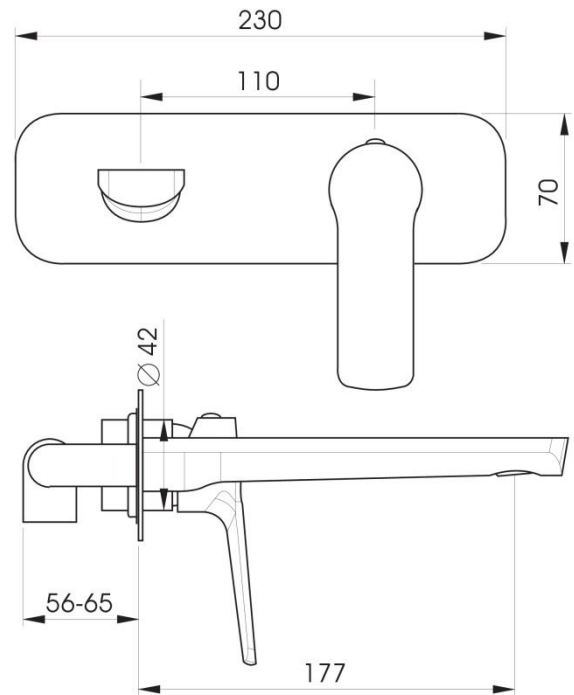
Recommended working pressure:

Min 150 – Max 500KPa

Note: If the pressure exceeds or is likely to exceed 500KPa, an approved pressure limiting device must be fitted.

Maximum hot water temperature 80°

### TECHNICAL DETAILS



Note: Illustrations and specifications may vary from time to time