



COMPATTO DEEP MULTI-BOWL SINK ACCESSORY PACK 3

DESCRIPTION

Compatto 1 & ½ Bowl Radial Corner Sink
Accessory Pack 3

FEATURES

- Hand fabricated
- 1.2mm 304 stainless steel
- Australian 'registered' design – IP Design no. 202016250
- Minimal look, maximum capacity and practicality
- 610 x 440 x 225mm deep bowls
- 10mm radial corners
- Anti-condensation coating
- Sound deadening rubber pads all sides
- Includes sink, dish rack, roll-out mat, chopping board and quality positive action deluxe basket wastes
- 25 year manufacturer's warranty domestic use, 7 year for commercial use from date of purchase, sink only
- 1 year manufacturer's warranty on sink accessories

DETAILS

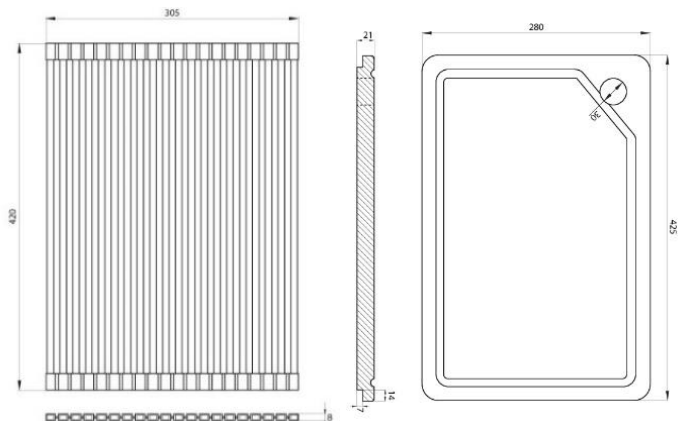
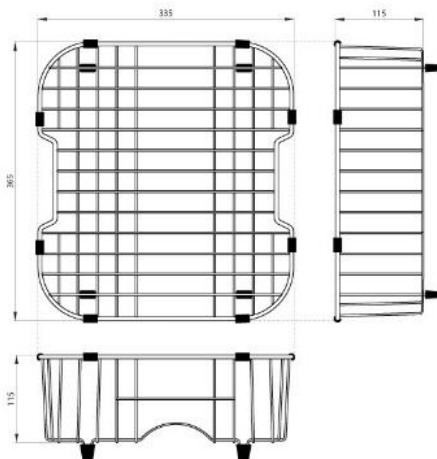
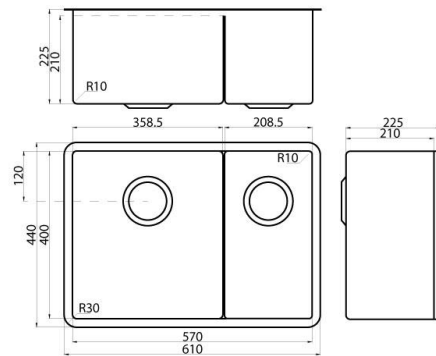
30 / 17.5L Capacity

Undermount or flushmount

Part Code: TKS-C200RC

Available Finishes: Brushed on sink and roll-out mat, chrome on dish rack, chopping board natural timber

TECHNICAL DETAILS



Note: Illustrations and specifications may vary from time to time