



## ZIRCONE WALL MIXER WITH DIVERTER

### DESCRIPTION

Zircone Wall Mixer with Diverter

### FEATURES

- Modern 2 tone finish
- Elegant design
- Solid brass backing plate
- Easy twist shower/spout or shower/hand shower selection knob
- Taiwanese ceramic disc cartridge for smooth long life operation
- 10 year warranty on mixer body, cartridge and chrome finish, 5 years on coloured finishes

## DETAILS

35mm cartridge

Part Code: AZ-402

Available Finish: Matte Black / Chrome

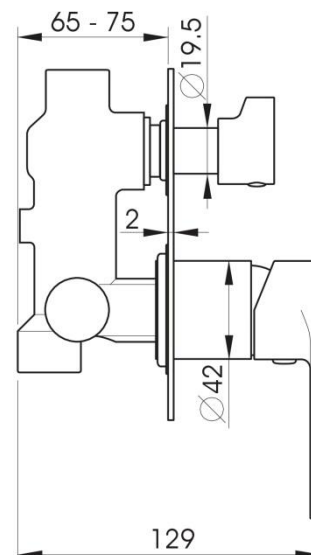
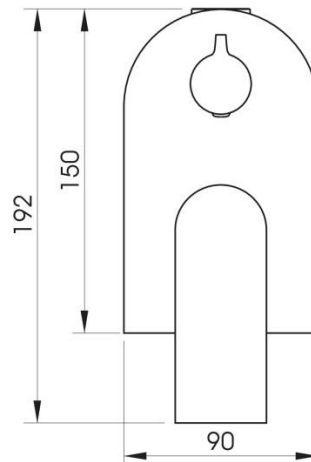
Recommended working pressure:

Min 150 – Max 500KPa

Note: If the pressure exceeds or is likely to exceed 500KPa, an approved pressure limiting device must be fitted.

Maximum hot water temperature 80°

## TECHNICAL DETAILS



Note: Illustrations and specifications may vary from time to time