



## Q4 DEEP SINGLE BOWL MATTE BLACK SINK

### DESCRIPTION

Q4 Hand Fabricated Single Bowl Stainless Steel  
Radial Corner Matte Black Sink

### FEATURES

- Hand fabricated
- Durable PVD coating
- 1.2mm 304 stainless steel
- Australian designed
- 400 x 400 x 250mm deep bowl
- 10mm radial corners
- Anti-condensation coating
- Sound deadening rubber pads all sides
- Quality positive action deluxe basket waste included
- 25 year manufacturer's warranty domestic use, 7 year for commercial use, 1 year on related parts from date of purchase

## DETAILS

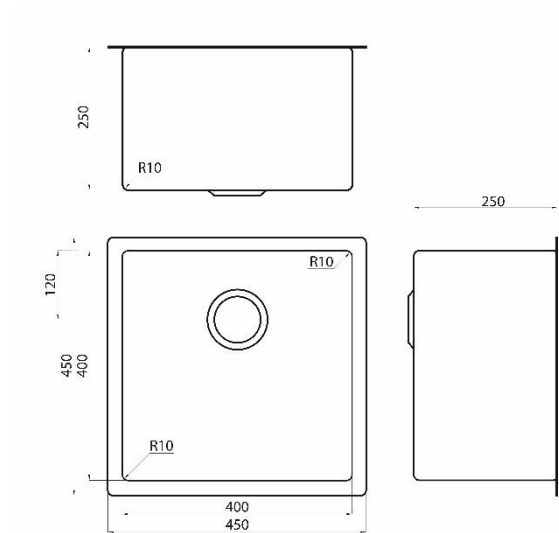
40L Capacity

Undermount or flushmount

Part Code: TKS-440R/B

Available Finish: Black PVD

## TECHNICAL DETAILS



Note: Illustrations and specifications may vary  
from time to time